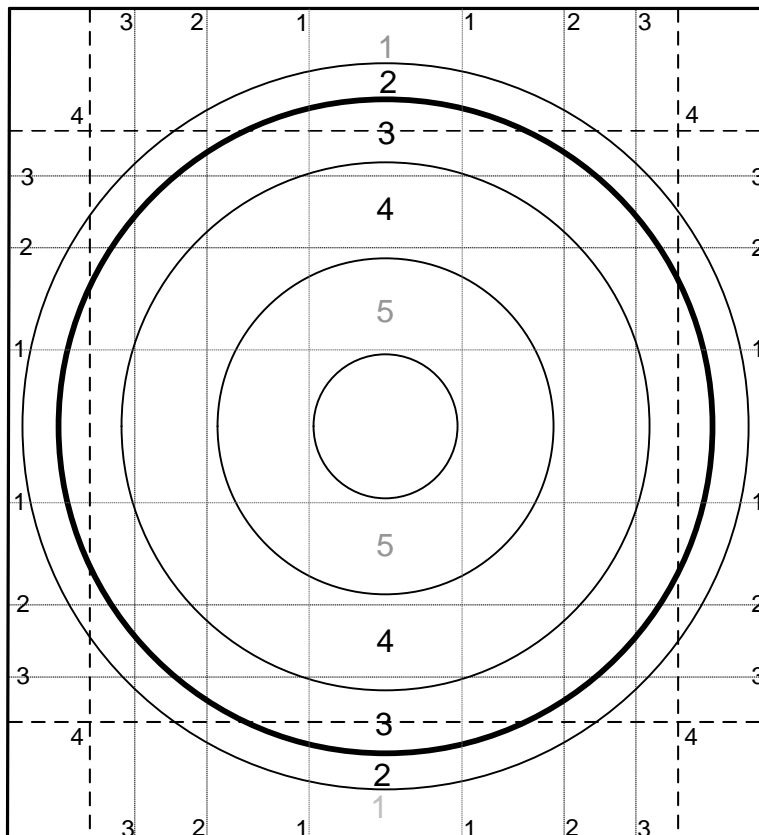
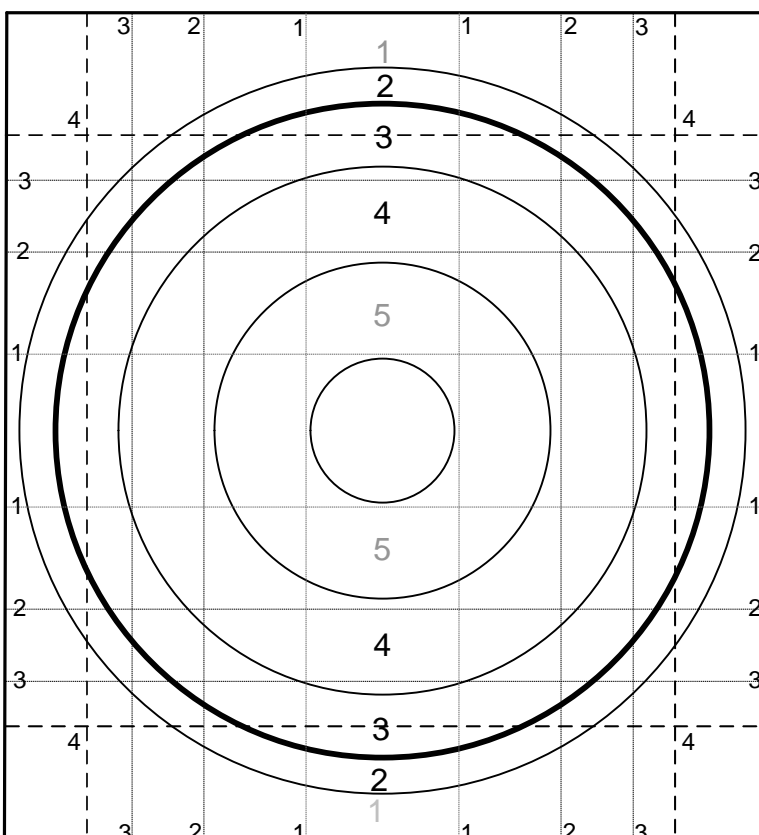


RANGE---RELAY---BUTTS---TG-BRD---TIME---TRGT



Place		Date		3 0 0	M T S						
Target No.		Relay	Time								
Rifle											
Temp	Light Direction 	Wind Direction MPH 	MM / Sights F R 	30 20 10 0							
Sighters											
51-51-51	SS1 SS2	1	2	3	4	5	6	7	8	9	10
Elevation											
Windage											
Call											
Value											
GRP 7/08/06	SS3 SS4	11	12	13	14	15	16	17	18	19	20
Elevation											
Windage											
Call											
Value											
Brass			Prm	COAL	BOX						
Powder	Wt.	H/S		Score							
Bullet			CRTOAL								

RANGE---RELAY---BUTTS---TG-BRD---TIME---TRGT



Place		Date		3 0 0	M T S						
Target No.		Relay	Time								
Rifle											
Temp	Light Direction 	Wind Direction MPH 	MM / Sights F R 	30 20 10 0							
Sighters											
51-51-51	SS1 SS2	1	2	3	4	5	6	7	8	9	10
Elevation											
Windage											
Call											
Value											
GRP 7/08/06	SS3 SS4	11	12	13	14	15	16	17	18	19	20
Elevation											
Windage											
Call											
Value											
Brass			Prm	COAL	BOX						
Powder	Wt.	H/S		Score							
Bullet			CRTOAL								