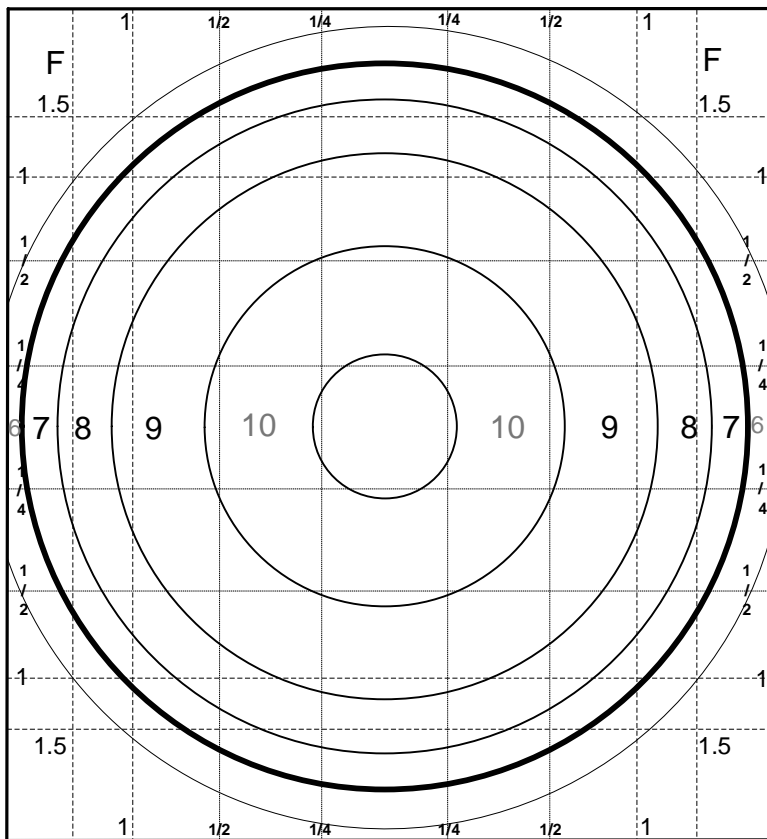
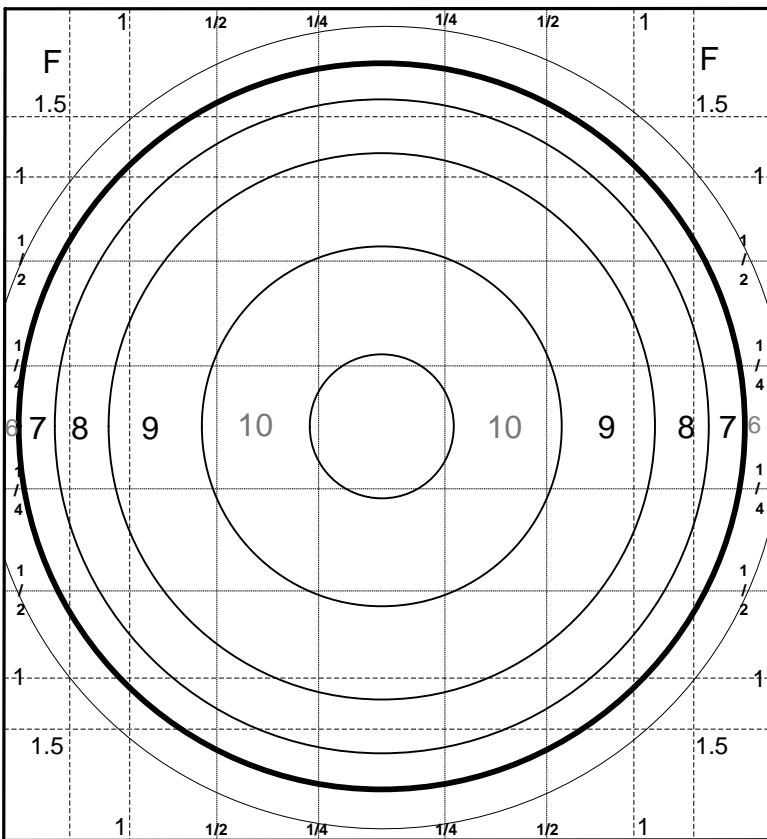


# 900 Yard F Class



Place					Date								
Target No.			Relay		Time								
Rifle					Ammunition								
Light Direction		Wind Direction			Scope Info								
Temp			MPH										
Elevation Zero					Windage Zero								
Elevation Used					Windage Used								
192-192-192	SS1	SS2	1	2	3	4	5	6	7	8	9	10	TOTAL
Elevation													
Windage													
Call													
Value													TOTAL
GRP 8/07/08	SS3	SS4	11	12	13	14	15	16	17	18	19	20	
Elevation													
Windage													
Call													
Value													Score
Reloading Information					Sights								
Brass			Primers		E on								
Powder			Gr. Wt.		W on								
Bullet			OAL										

# 900 Yard F Class



Place					Date								
Target No.			Relay		Time								
Rifle					Ammunition								
Light Direction		Wind Direction			Scope Info								
Temp			MPH										
Elevation Zero					Windage Zero								
Elevation Used					Windage Used								
192-192-192	SS1	SS2	1	2	3	4	5	6	7	8	9	10	TOTAL
Elevation													
Windage													
Call													
Value													TOTAL
GRP 8/07/08	SS3	SS4	11	12	13	14	15	16	17	18	19	20	
Elevation													
Windage													
Call													
Value													Score
Reloading Information					Sights								
Brass			Primers		E on								
Powder			Gr. Wt.		W on								
Bullet			OAL										