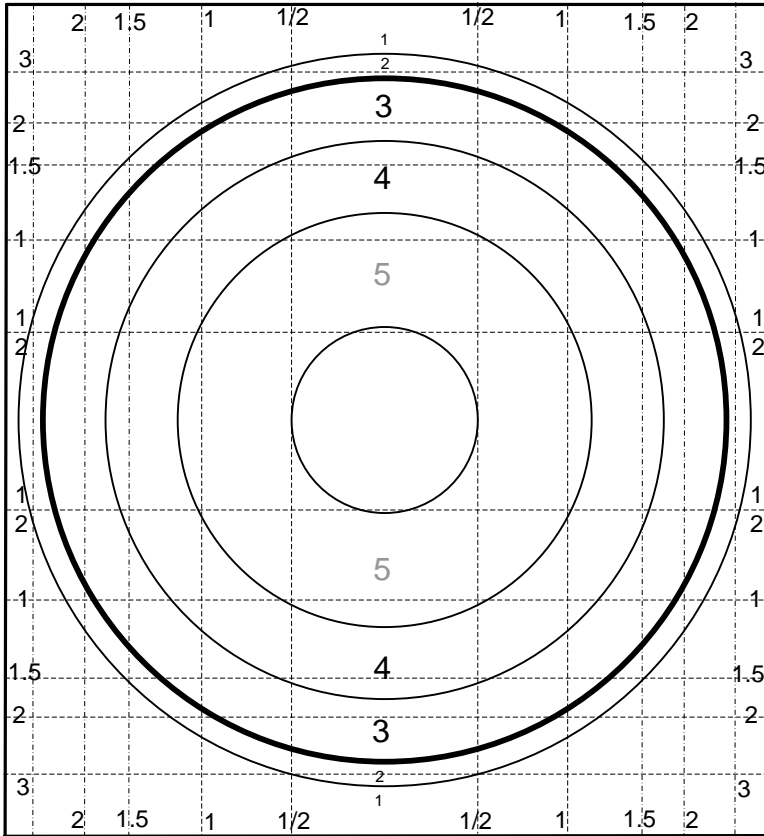


900 Yard ICFRA

05/15/09

In MOA 9.423" @ 900 yds

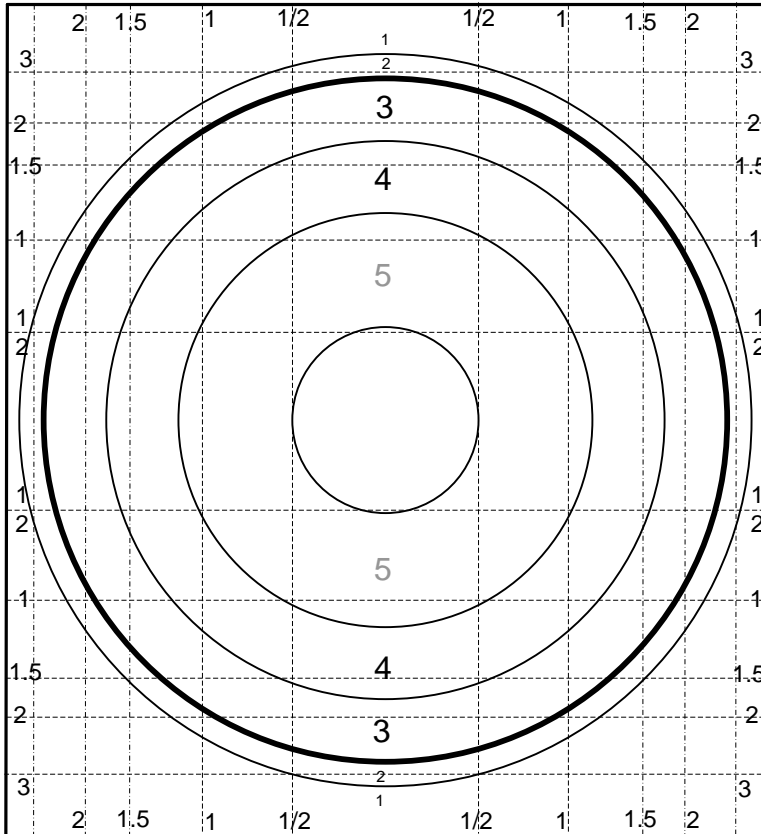


Place		Date											
Target No.		Relay		Time									
Rifle		Ammunition											
Light Direction		Wind Direction		MM	RILES								
Temp	MPH	Mirage	F	0 12 24 36 48 60									
Elevation Zero		Windage Zero											
Elevation Used		Windage Used											
0-1-T90%	SS1	SS2	1	2	3	4	5	6	7	8	9	10	
Elevation													
Windage													
Call	○	○	○	○	○	○	○	○	○	○	○	○	
Value													
GRP 5/03/09	SS3	SS4	11	12	13	14	15	16	17	18	19	20	
Elevation													
Windage													
Call	○	○	○	○	○	○	○	○	○	○	○	○	
Value													
Reloading Information												Score	
Brass						Primers							
Powder						Gr. Wt.							
Bullet						OAL							

900 Yard ICFRA

05/15/09

In MOA 9.423" @ 900 yds



Place		Date											
Target No.		Relay		Time									
Rifle		Ammunition											
Light Direction		Wind Direction		MM	RILES								
Temp	MPH	Mirage	F	0 12 24 36 48 60									
Elevation Zero		Windage Zero											
Elevation Used		Windage Used											
0-1-T90%	SS1	SS2	1	2	3	4	5	6	7	8	9	10	
Elevation													
Windage													
Call	○	○	○	○	○	○	○	○	○	○	○	○	
Value													
GRP 5/03/09	SS3	SS4	11	12	13	14	15	16	17	18	19	20	
Elevation													
Windage													
Call	○	○	○	○	○	○	○	○	○	○	○	○	
Value													
Reloading Information												Score	
Brass						Primers							
Powder						Gr. Wt.							
Bullet						OAL							